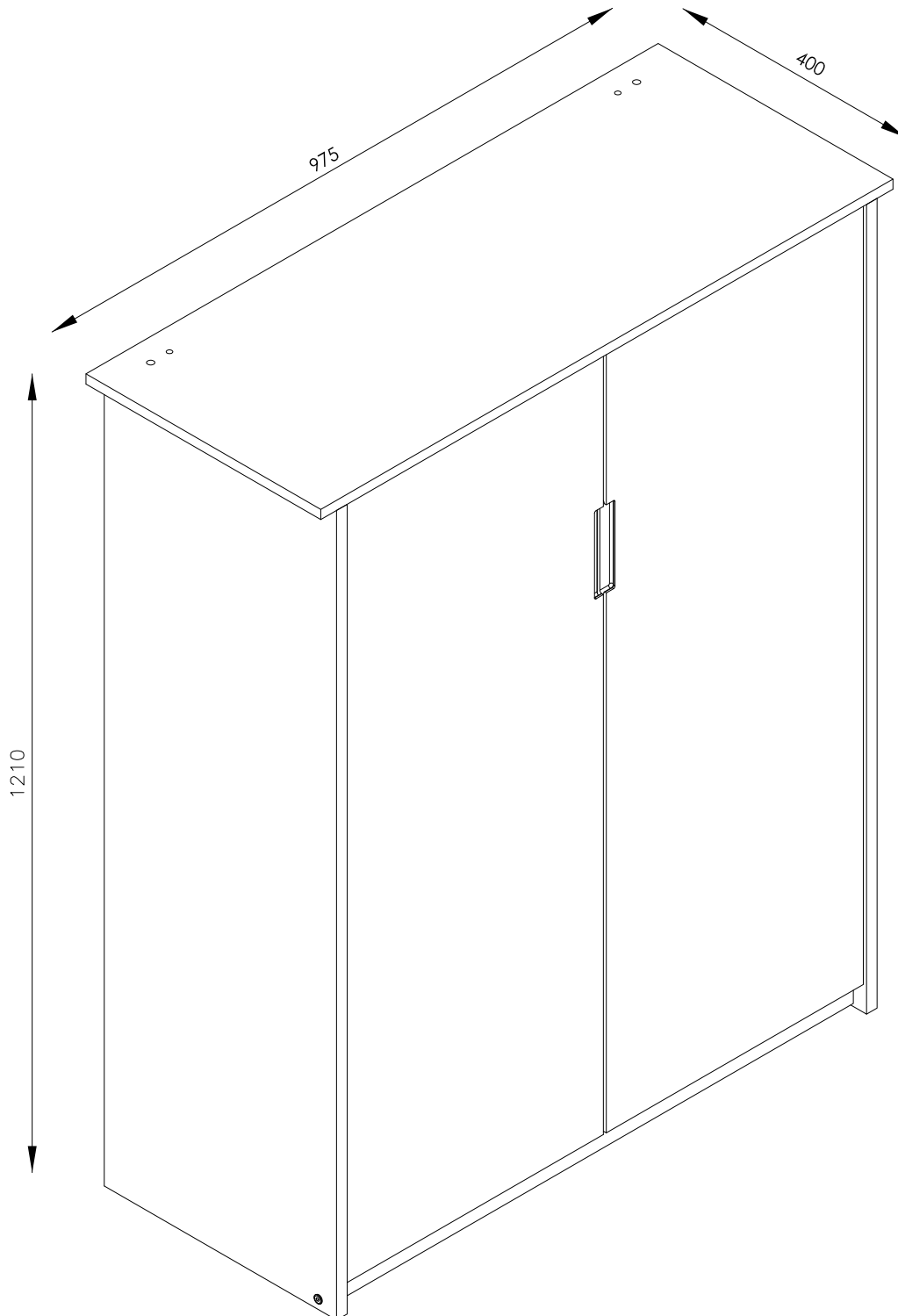


## ASSEMBLY INSTRUCTION

KODI ROBE BUNK BED - 2 DOORS WARDROBE

ITEM CODE : 65722

Imported by Amart Furniture Pty Ltd, Qld, Brisbane Australia.  
For any assistance with assembly or for missing parts please phone  
Amart Furniture Pty Ltd Customer Service Free call 1800 351 084

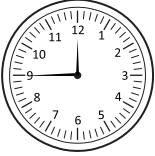

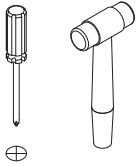



Imported by Amart Furniture Pty Ltd, Qld, Brisbane Australia.  
For any assistance with assembly or for missing parts please phone  
Amart Furniture Pty Ltd, Customer Service Free call 1800 351 084

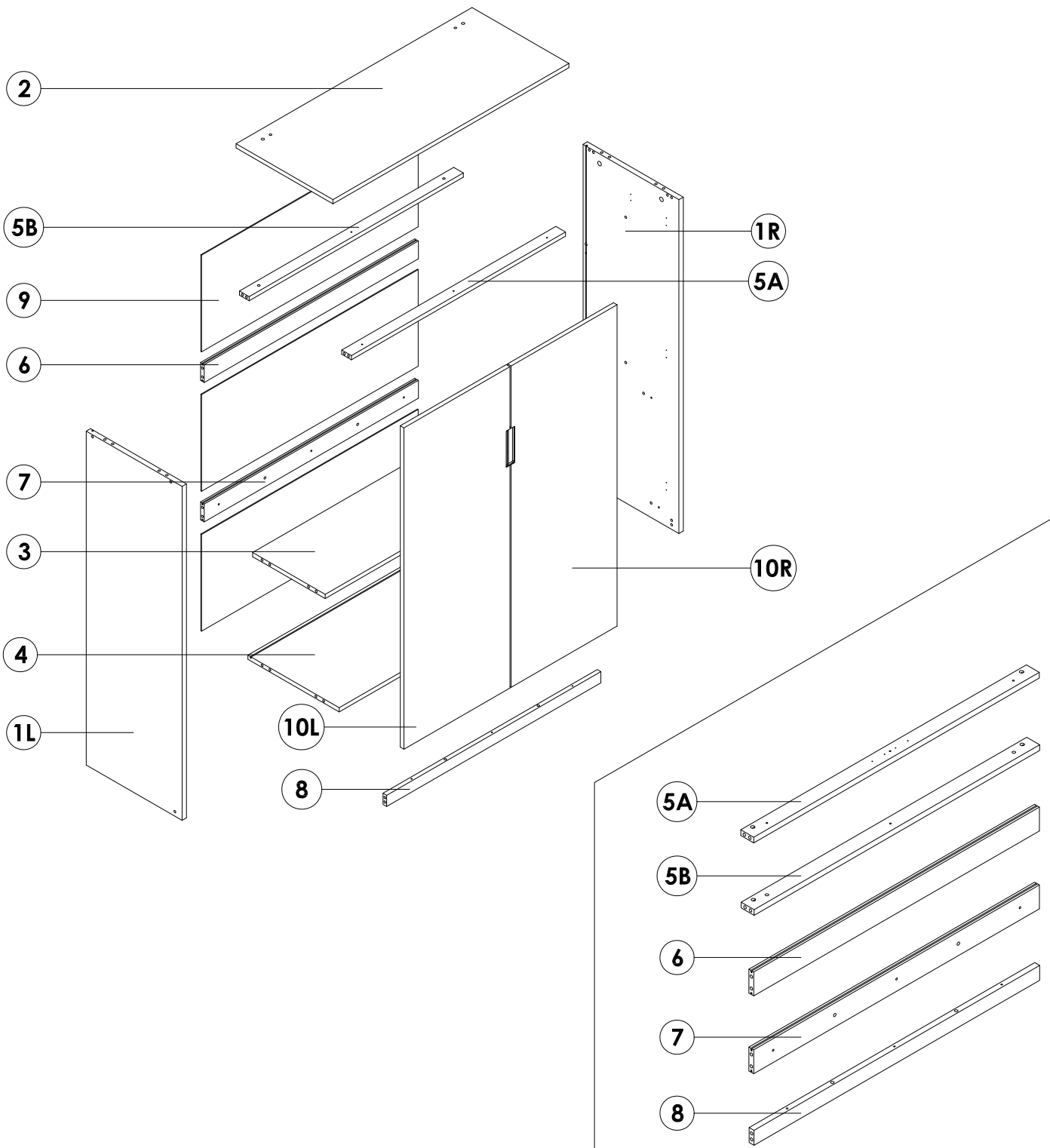
## PRE-ASSEMBLY PREPARATION

### Before you start :

1. Choose a clean, level, spacious assembly area. Avoid hard surfaces that may damage the product.
2. Take care when lifting. Product should be assembled as near as possible to the point of use.
3. Ensure that you have all required contents for complete assembly.
4. Always read the assembly instructions carefully before beginning assembly.
5. Keep all hardware parts and packaging out of reach of small children.
6. Do not over tighten the screws and bolts as this may damage the threads.

	
<b>ALLOW 45 MINUTES</b>	<b>2 PERSON REQUIRED</b>
	
<b>ADDITIONAL TOOLS REQUIRED</b>	<b>NO POWER DRILL</b>

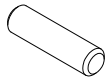
# PART LIST



1L	SIDE PANEL - L	(X1)	6	REAR RAIL (TOP)	(X1)
1R	SIDE PANEL - R	(X1)	7	REAR RAIL (BOTTOM)	(X1)
2	TOP PANEL	(X1)	8	BOTTOM RAIL	(X1)
3	SHELF	(X1)	9	BACK PANEL	(X3)
4	BOTTOM PANEL	(X1)	10L	DOOR - L	(X1)
5A	TOP RAIL (FRONT)	(X1)	10R	DOOR - R	(X1)
5B	TOP RAIL (REAR)	(X1)			

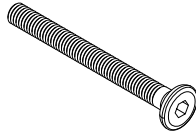
## HARDWARE LIST

**A. PLASTIC DOWEL (M8 x 30MM)**



**26 PCS**

**B. JCBC BOLT (M6 x 60MM)**



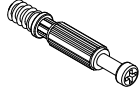
**6 PCS**

**C. JRN NUT (M6 x 13MM)**



**6 PCS**

**D. CONNECTING BOLT (34MM)**



**19 PCS**

**E. MINIFIX (12MM)**



**19 PCS**

**F. CSK C/B SCREW (M3 x 20MM)**



**6 PCS**

**G. CSK C/B SCREW (M3.5 x 16MM)**



**32 PCS**

**H. P/H C/B SCREW (M3.5 x 16MM)**



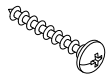
**4 PCS**

**J. P/H RATTAN SCREW (#8 x 25MM)**



**4 PCS**

**K. P/H RATTAN SCREW (#8 x 32MM)**



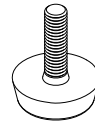
**5 PCS**

**L. PLASTIC CORNER BLOCK (ABS)**



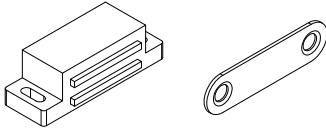
**6 PCS**

**M. BASE GLIDE L190 (M6 x 23MM)**



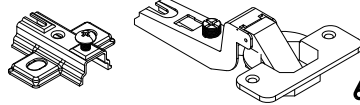
**1 PC**

**N. MAGNET 3.5KG (WHITE)**



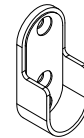
**2 PCS**

**P. CONCEALED HINGES C93-15 (7/8") PLATE H2**



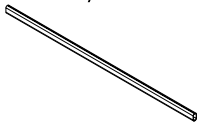
**6 PCS**

**Q. NICKEL OVAL PIPE HOLDER**



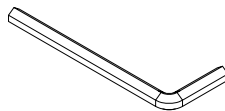
**2 PCS**

**R. ALUMINIUM OVAL TUBE (30 x 15 x 875MM)**



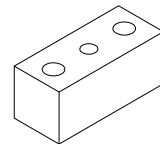
**1 PC**

**S. ALLEN KEY (M4 x 60MM)**



**1 PC**

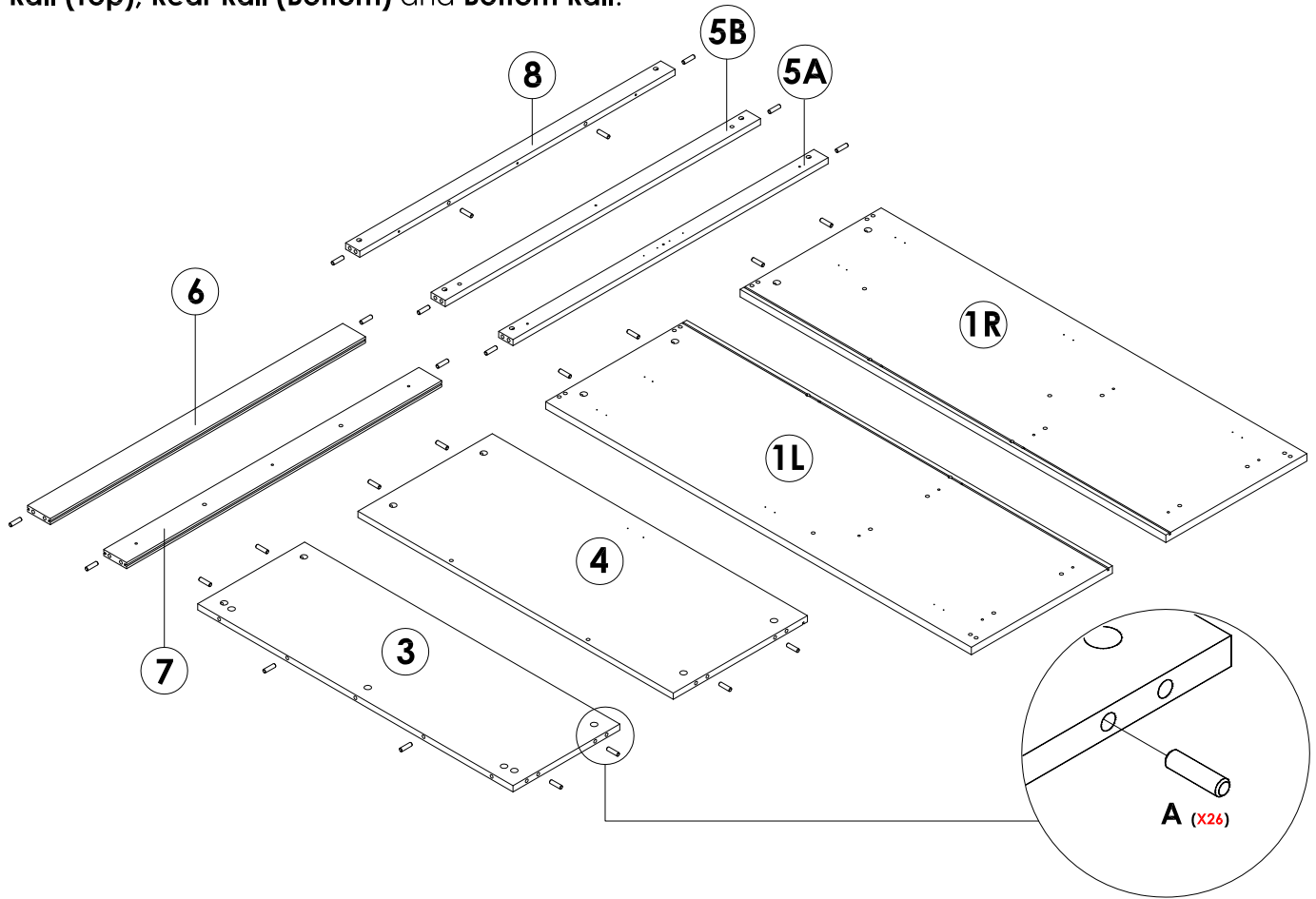
**T. SUPPORT RAIL**



**1 PC**

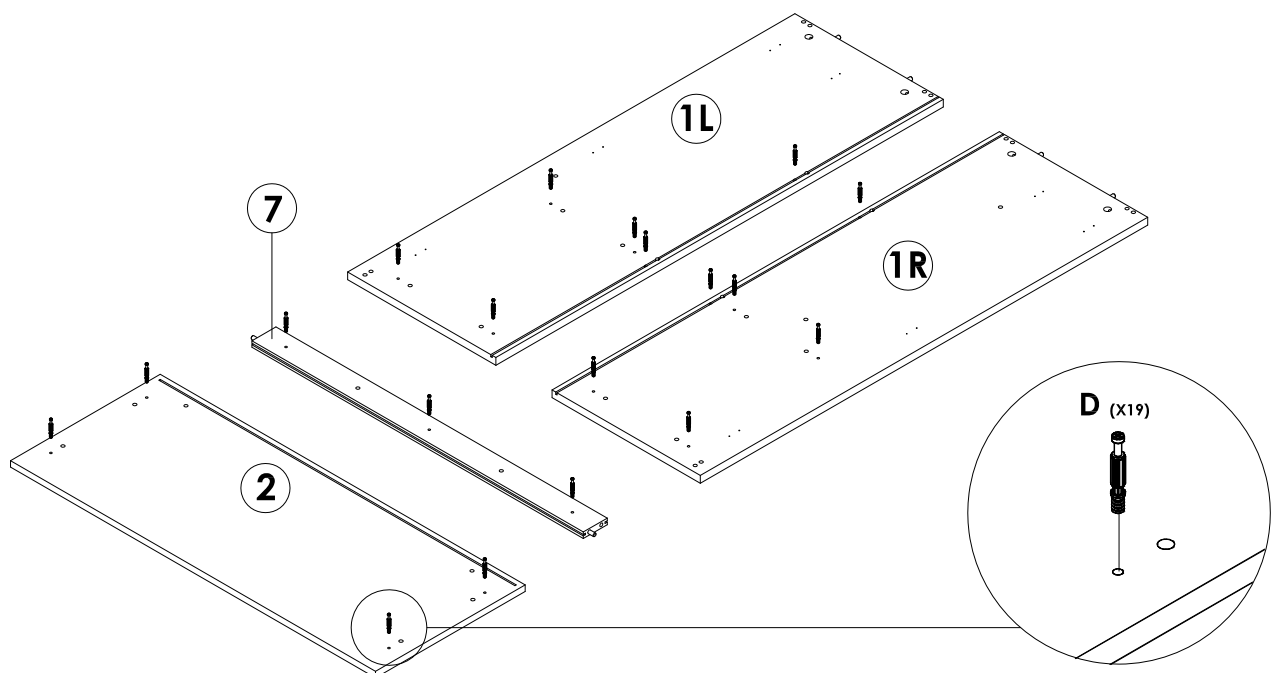
## STEP 1

Insert **(A)** into Ø8MM holes on **Side Panel (L/R), Shelf, Bottom Panel, Top Rail (Front & Rear), Rear Rail (Top), Rear Rail (Bottom)** and **Bottom Rail**.



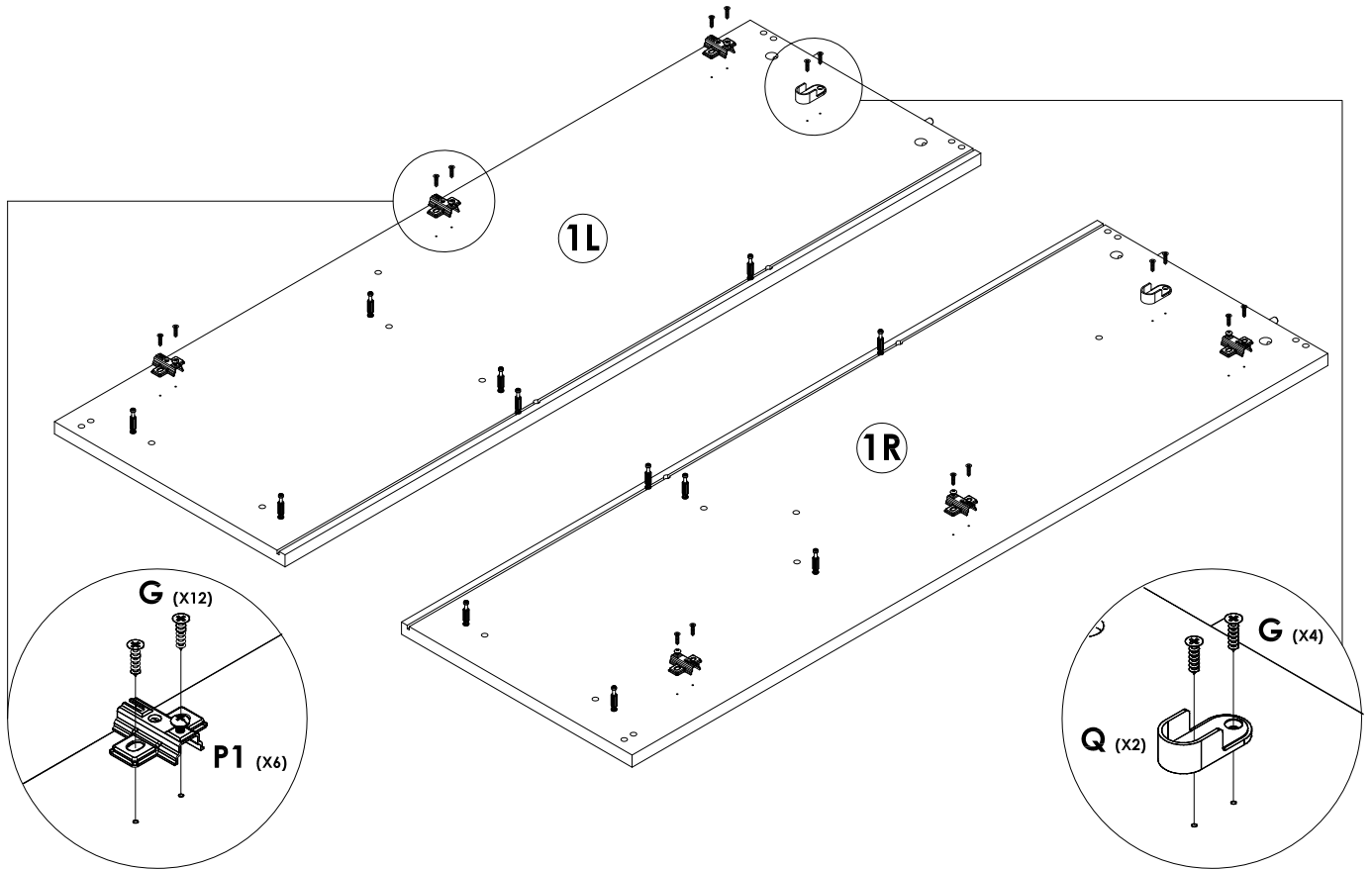
## STEP 2

Insert **(D)** into Ø5MM holes on **Side Panel (L/R), Top Panel** and **Rear Rail (Bottom)** by using a Crosshead Screw Driver.



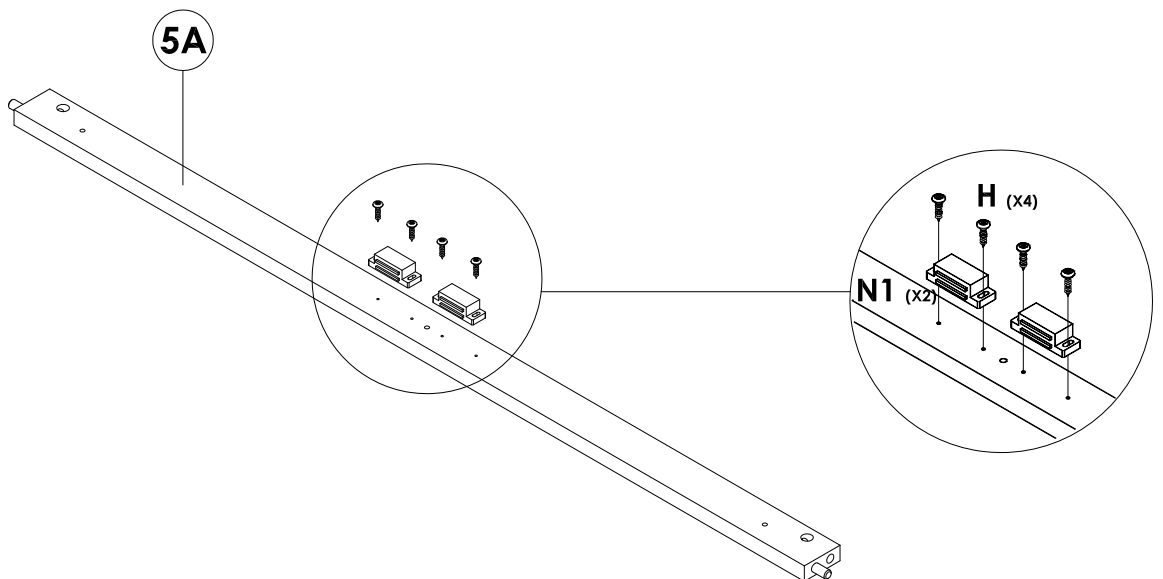
### STEP 3

Attach and secure **(P1)** and **(Q)** onto **Side Panel (L/R)** based on specified marking holes given as shown above by using **(G)**, tighten it up by using a Crosshead Screw Driver.



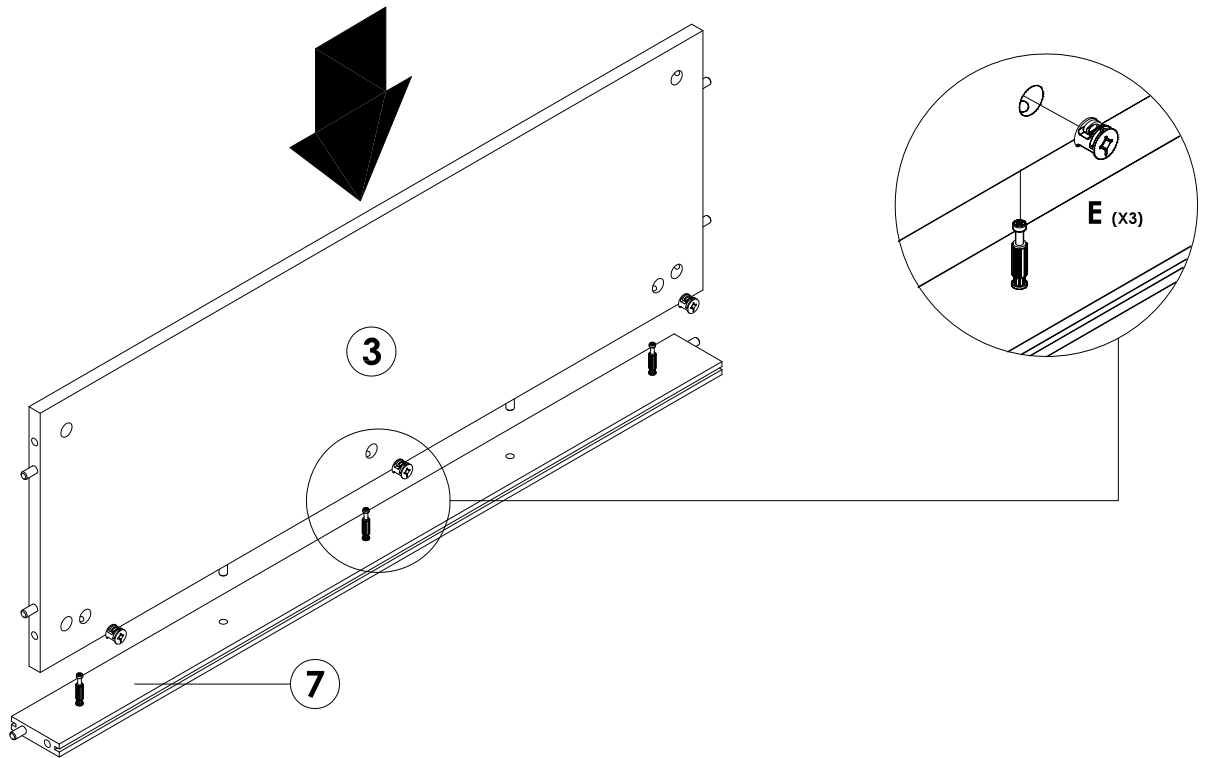
### STEP 4

Attach and secure **(N1)** onto **Top Rail (Front)** by using **(H)**, tighten it up by using a Crosshead Screw Driver.



## STEP 5

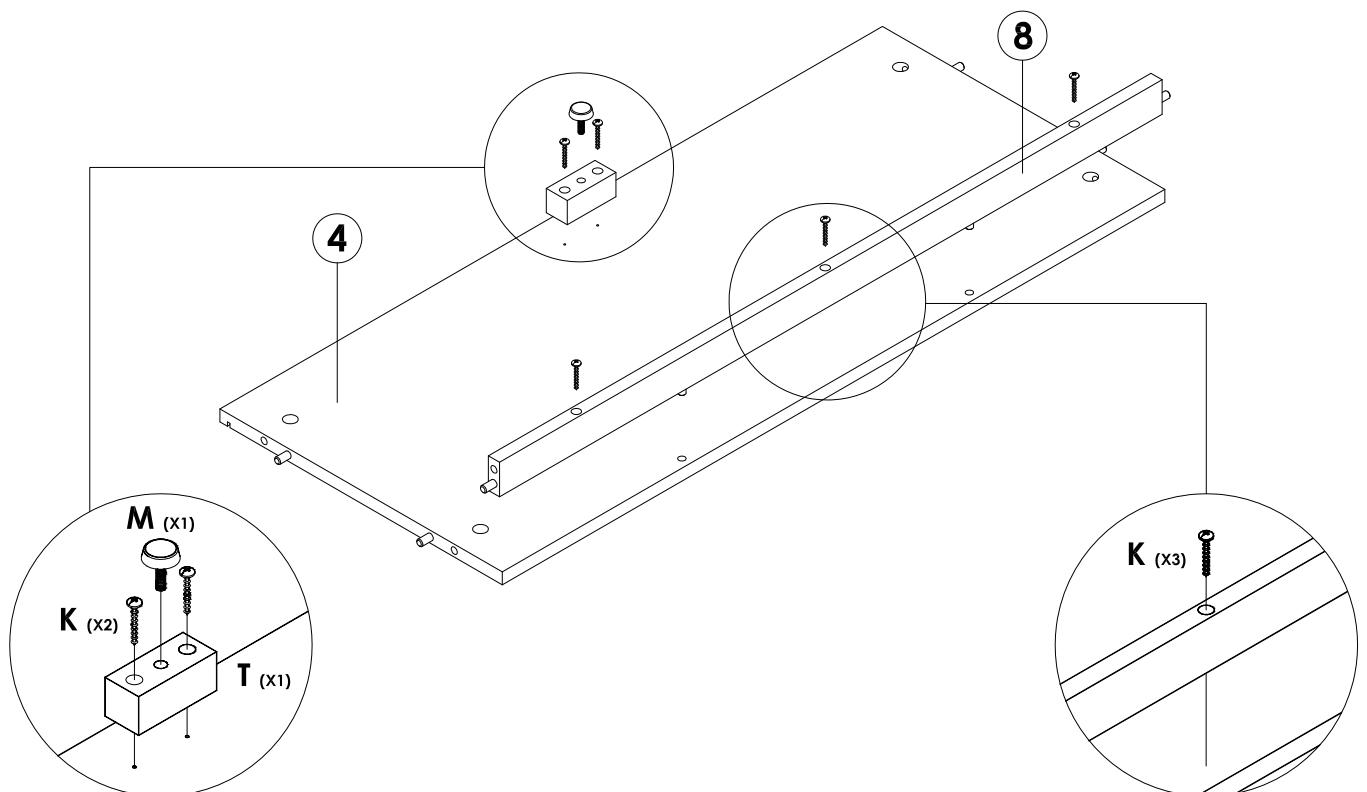
Attach and secure **Shelf** onto **Rear Rail (Bottom)** by using **(E)**, tighten it up by using a Crosshead Screw Driver.



## STEP 6

Attach and secure **Bottom Rail** and **(T)** onto **Bottom Panel** by using **(K)**, tighten it up by using a Crosshead Screw Driver.

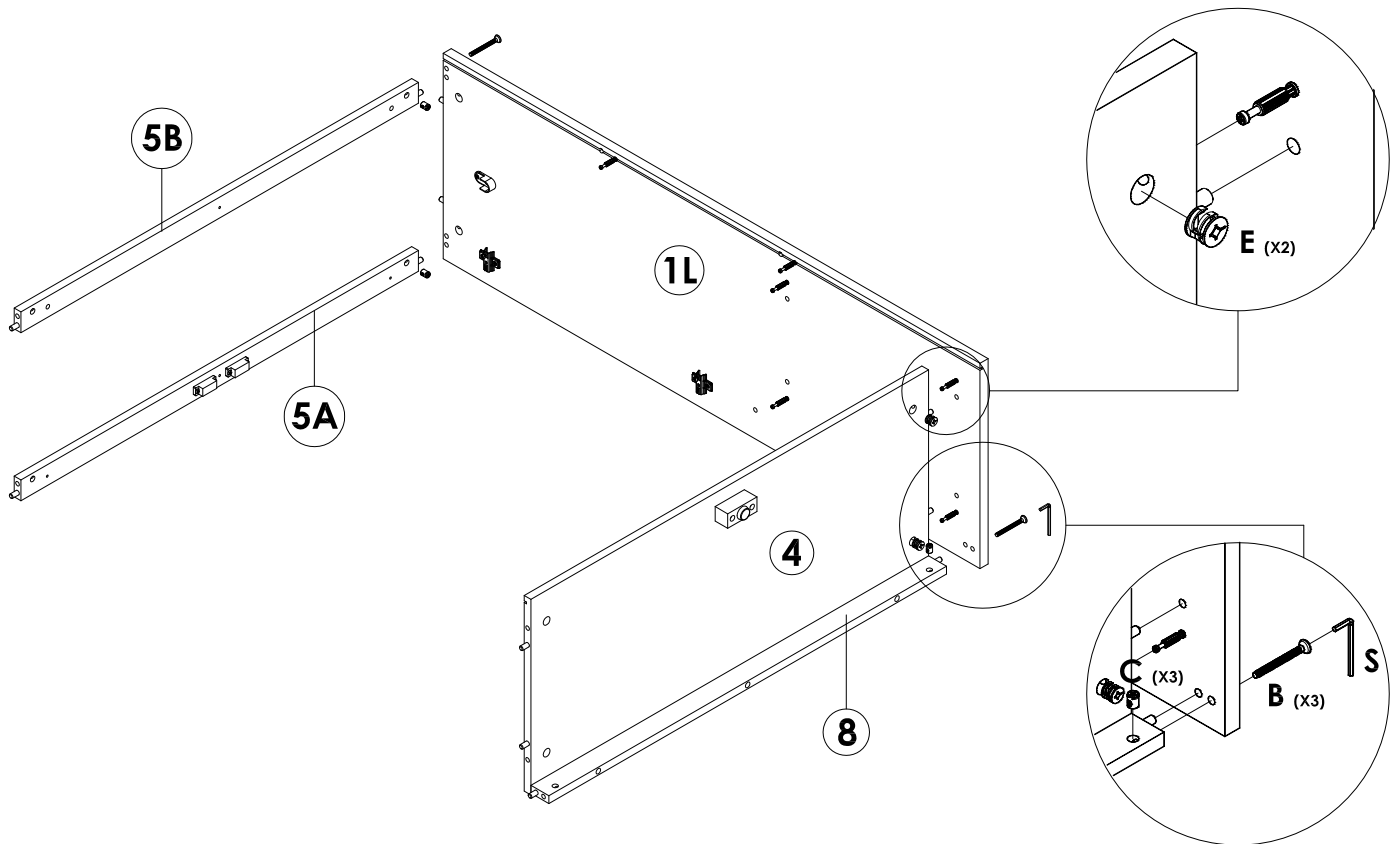
Follow that up by inserting **(M)** into **Support Rail**.



## STEP 7

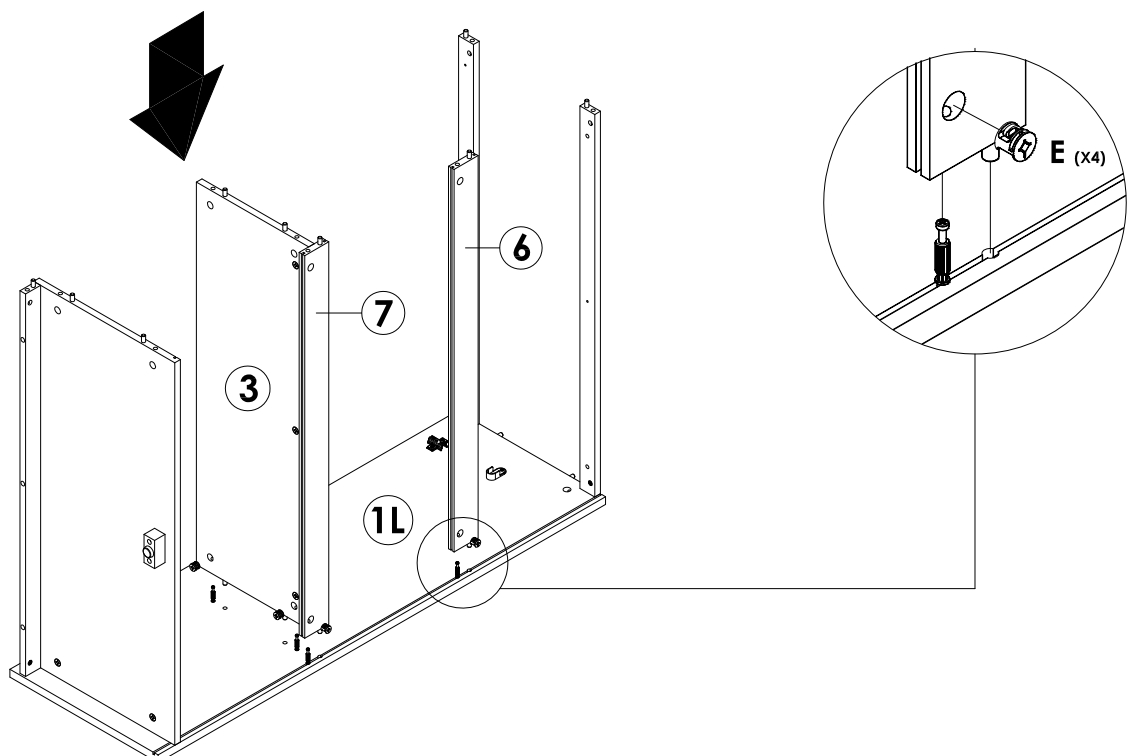
Attach and secure one side of **Bottom Rail** and **Top Rail (Front & Rear)** onto **Side Panel (L)** by using **(B)** and **(C)**, tighten it up by using **(S)**.

Attach and secure **Bottom Panel** onto **Side Panel (L)** by inserting **(E)**, tighten it up by using a Crosshead Screw Driver.



## STEP 8

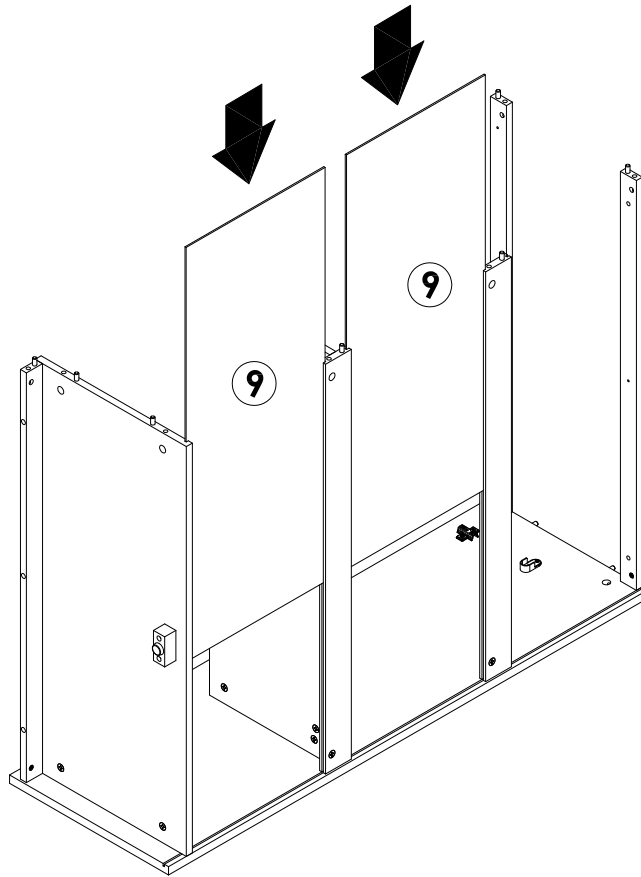
Attach and secure 1 side of **Shelf, Rear Rail (Top)** and **Rear Rail (Bottom)** onto **Side Panel (L)** by inserting **(E)**, tighten it up by using a Crosshead Screw Driver.





## STEP 9

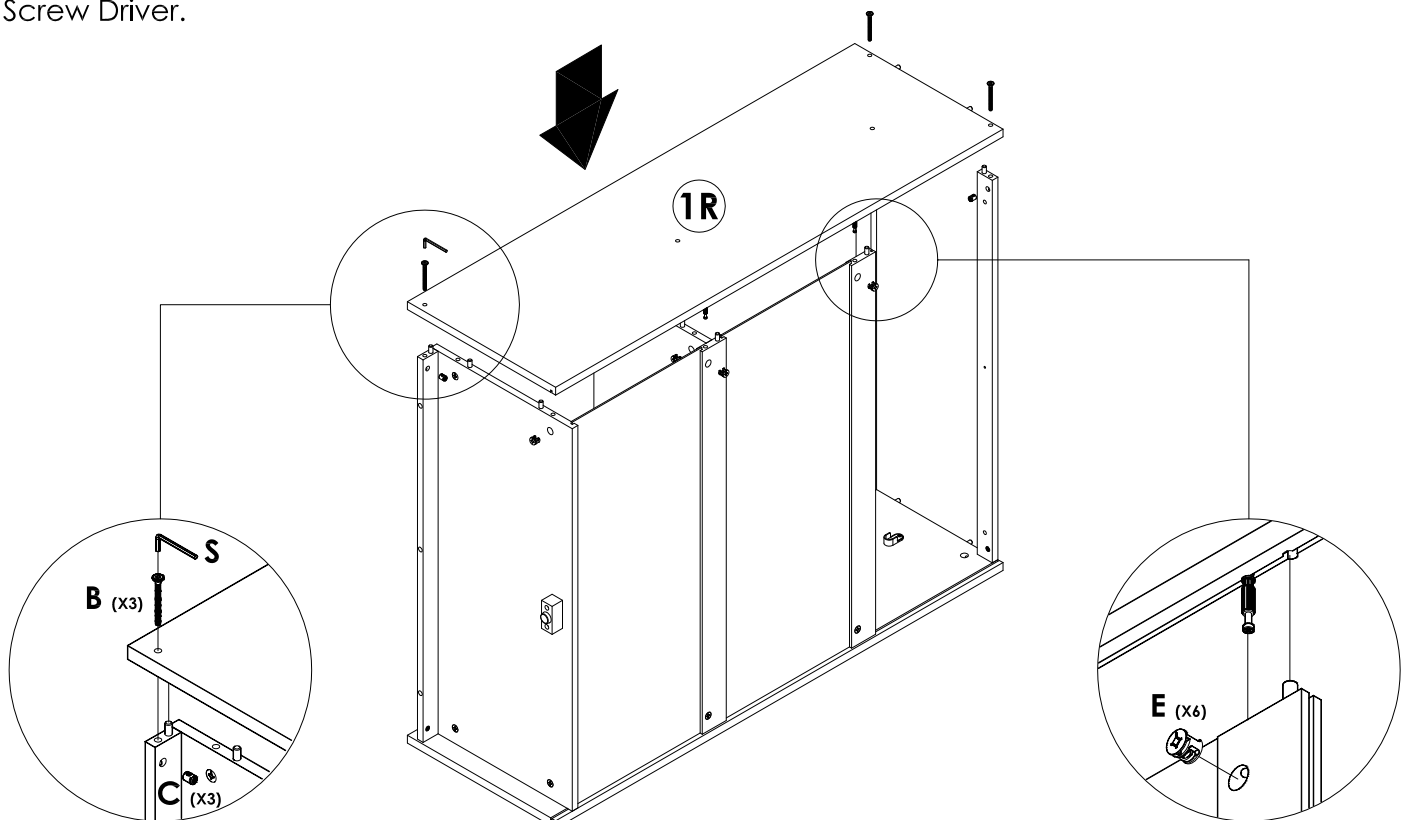
Slide down 2 pieces of **Back Panel** through the groove lines as shown on drawing.



## STEP 10

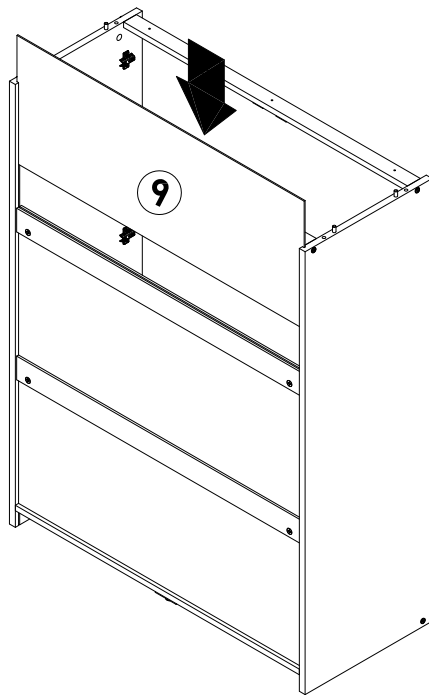
Attach and secure **Side Panel (R)** onto previous assembly by using **(B)** and **(C)** at **Top Rail (Front & Rear)** and **Bottom Rail**, tighten it up by using **(S)**.

Use **(E)** on **Shelf, Bottom Panel** and **Rear Rail (Top & Bottom)**, tighten it up by using a Crosshead Screw Driver.



## STEP 11

Slide down the remaining **Back Panel** through the groove lines as shown on drawing.

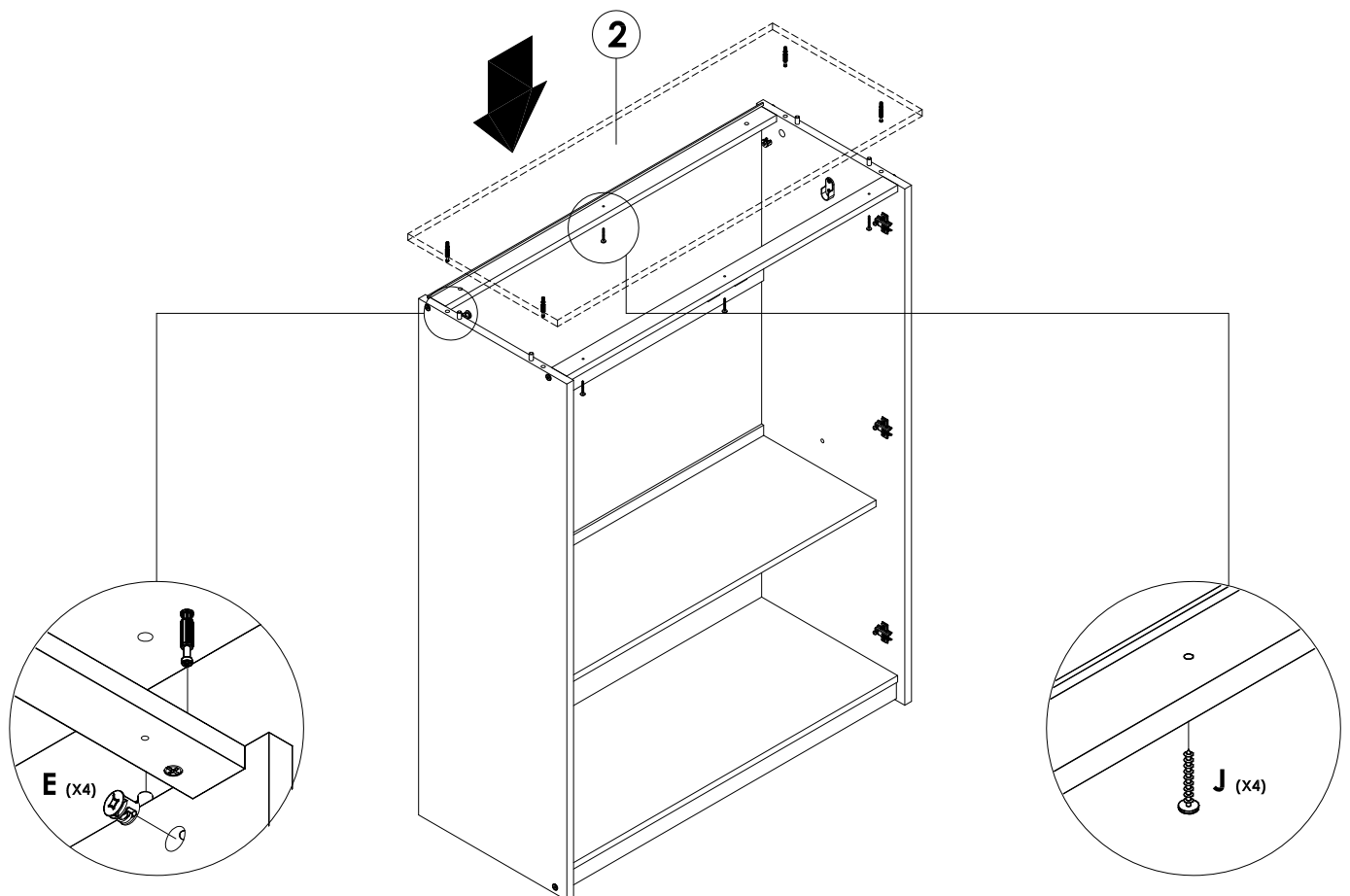


## STEP 12

Attach and secure **Top Panel** onto both previous assembly.

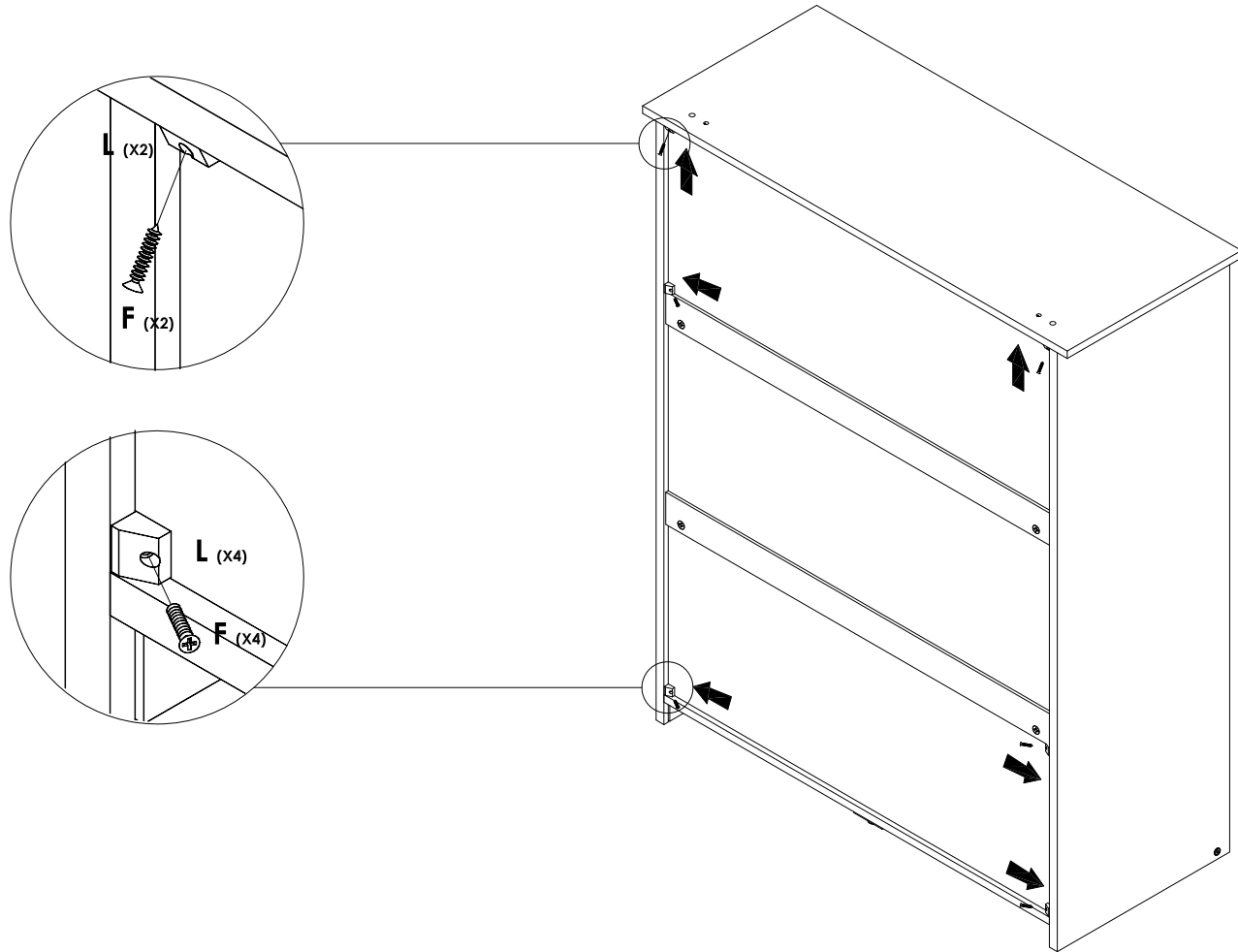
Use **(E)** on **Side Panel (L/R)** and tighten it up by using a Crosshead Screw Driver.

Use **(J)** on **Top Rail (Front & Rear)** and tighten it up by using a Crosshead Screw Driver.



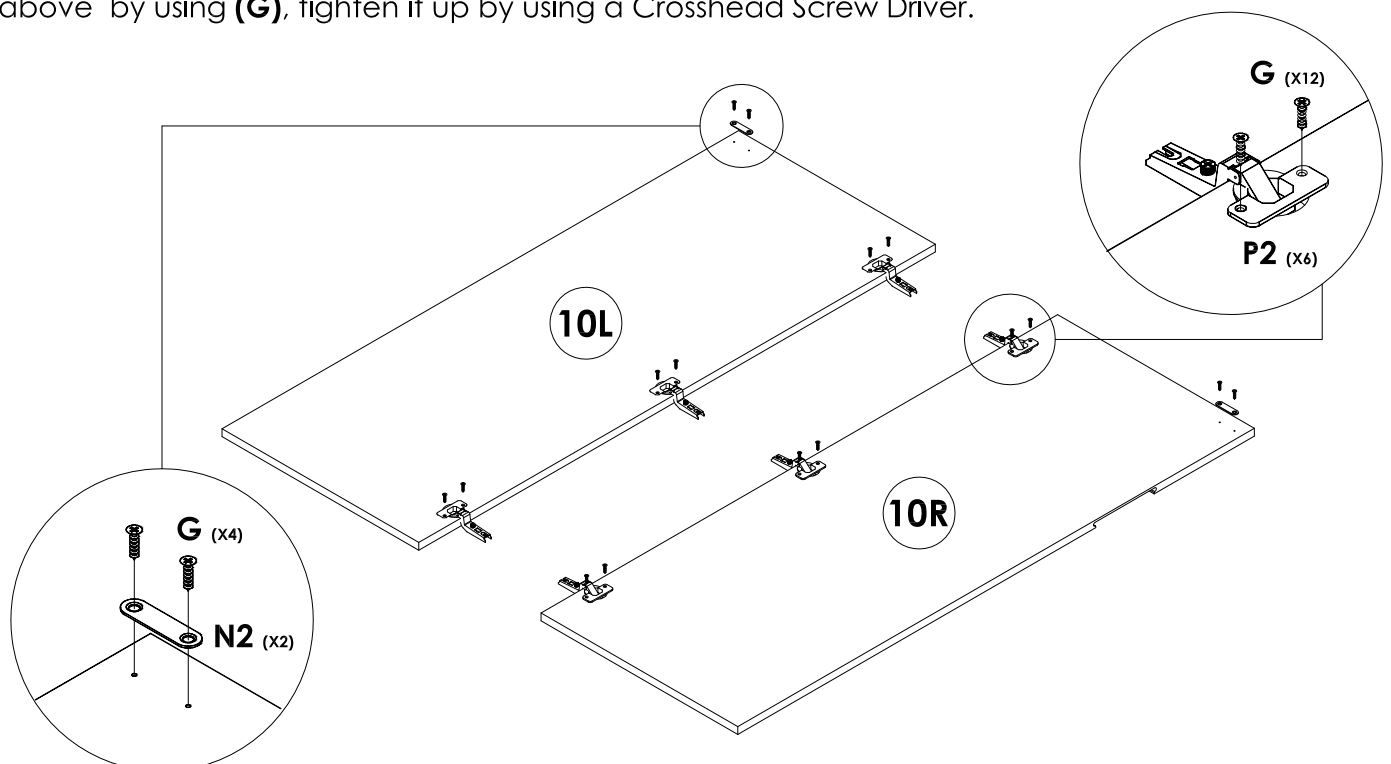
### STEP 13

Attach and secure **(L)** on sides pointed by arrows on the drawing as shown by using **(F)**, tighten it up by using a Crosshead Screw Driver.



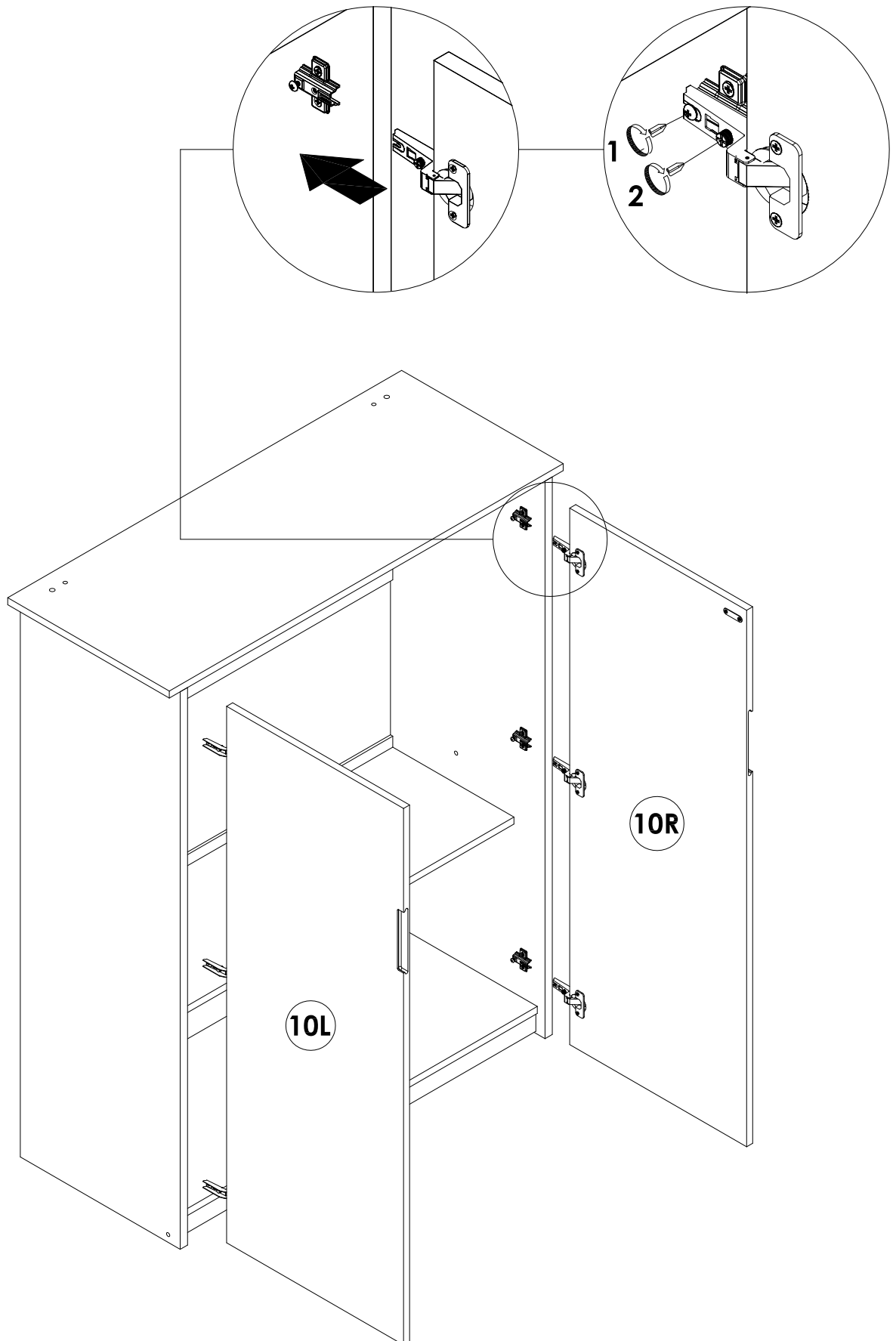
### STEP 14

Attach and secure **(N2)** and **(P2)** onto **Door** based on specified marking holes given as shown above by using **(G)**, tighten it up by using a Crosshead Screw Driver.



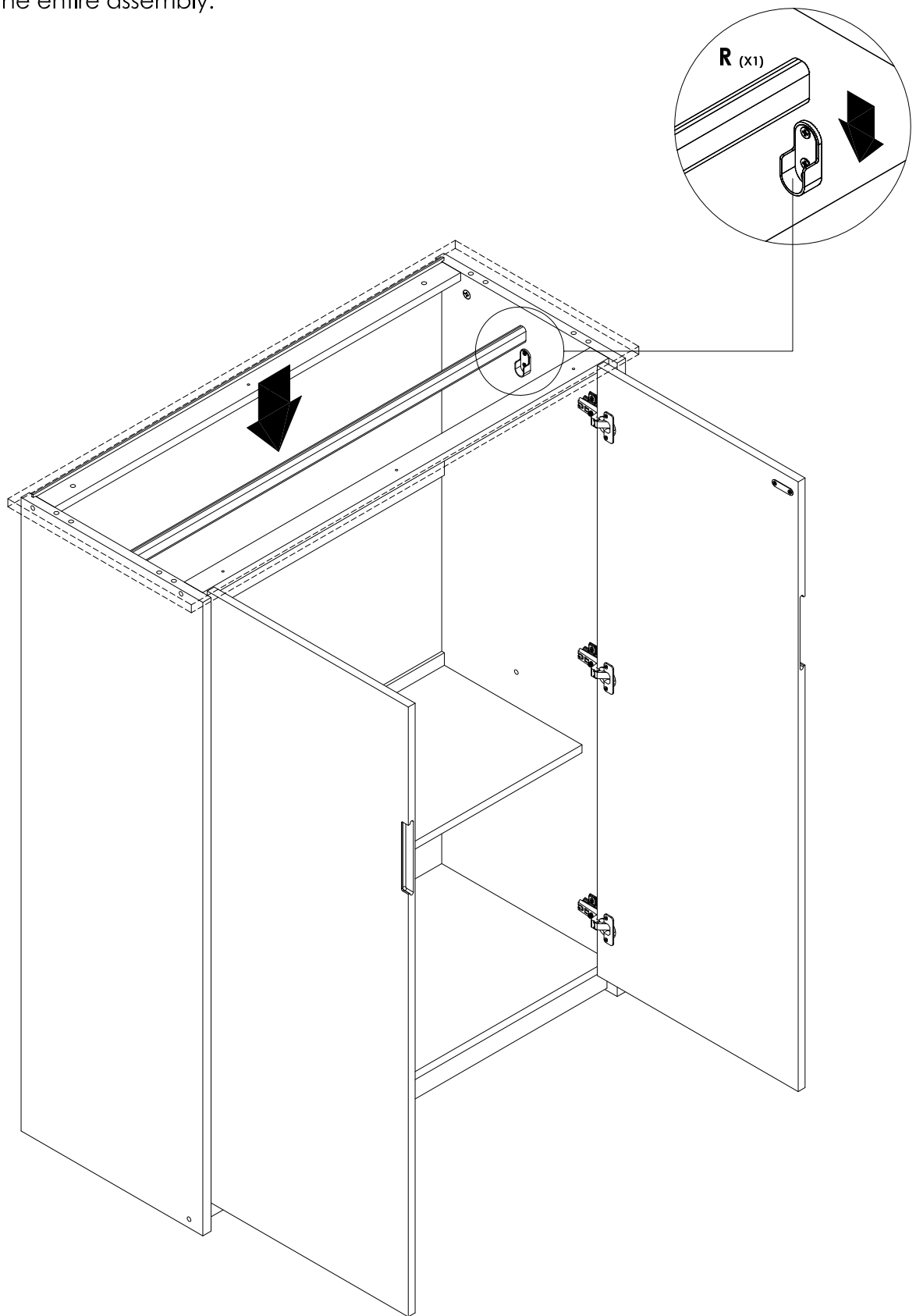
## STEP 15

Attach both **Door** onto assembly. Use a Crosshead Screw Driver to tighten **(1)** up. Use a Crosshead Screw Driver again on **(2)** to adjust its alignment.



## STEP 16

Attach **(R)** onto the already attached **Nickel Oval Pipe Holder (Q)**. Go on to complete the entire assembly.



## **IMPORTANT : GENERAL PRODUCT CARE**

To protect your furniture, we suggest the following:

- Avoid placing your furniture in direct sunlight.
- Do not place furniture directly under windows.
- Do not place sharp materials (knife, fork, etc.) directly onto your furniture as sharp material may scrape and damage the finish.
- Do not place material with high temperature directly onto the surface of your furniture.
- Clean up spills quickly. Water left over a prolonged period of time may cause damage. Alcohol, perfume, nail polishes, aftershave and some medication may cause severe finish damage if not cleaned immediately.
- Use a clean, soft, dry, lint free absorbent cloth to clean your furniture. Do not use any detergent as they may contain ingredients that may react and damage the finish.

NOTE: If the above care advise is not adhered to your product warranty may become void.